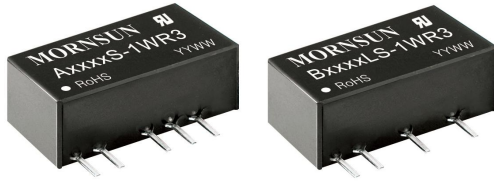


1W, Fixed input voltage, isolated & unregulated dual/single output



Continuous Short Circuit Protection



UL US CE Patent Protection RoHS

## FEATURES

- Continuous short-circuit protection
- No-load input current as low as 5mA
- Operating temperature range: -40°C to +105°C
- High efficiency up to 85%
- Isolation voltage: 1.5K VDC
- International standard pin-out
- SIP package
- UL62368, EN62368 approval

A05\_S-1WR3 & B05\_LS-1WR3 series are specially designed for applications where an isolated (two isolated) voltage is required in a distributed power supply system. They are suitable for: pure digital circuits, low frequency analog circuits, relay-driven circuits and data switching circuits.

## Selection Guide

Certification	Part No.	Input Voltage (VDC)	Output		Efficiency (%Min./Typ.) @ Full Load	Max. Capacitive Load* (µF)
		Nominal (Range)	Output Voltage(VDC)	Output Current (mA)(Max./Min.)		
UL/CE	A0503S-1WR3	5 (4.5-5.5)	±3.3	±152/±15	70/74	1200
	A0505S-1WR3		±5	±100/±10	78/82	1200
	A0509S-1WR3		±9	±56/±6	79/83	470
	A0512S-1WR3		±12	±42/±5	79/83	220
	A0515S-1WR3		±15	±34/±4	79/83	220
	A0524S-1WR3		±24	±21/±3	81/85	100
	B0503LS-1WR3		3.3	303/30	70/74	2400
	B0505LS-1WR3		5	200/20	78/82	2400
	B0509LS-1WR3		9	111/12	79/83	1000
	B0512LS-1WR3		12	84/9	79/83	560
	B0515LS-1WR3		15	67/7	79/83	560
	B0524LS-1WR3		24	42/4	81/85	220

Note: \* The capacitive loads of positive and negative outputs are identical.

## Input Specifications

Item	Operating Conditions	Min.	Typ.	Max.	Unit
Input Current (full load / no-load)	3.3VDC/5VDC output	--	270/5	286/10	mA
	9VDC/12VDC output	--	241/12	254/20	
	15VDC/24VDC output	--	241/18	254/30	
Reflected Ripple Current*		--	15	--	
Surge Voltage (1sec. max.)	5VDC input	-0.7	--	9	VDC
Input Filter		Filter capacitor			
Hot Plug		Unavailable			

Note: \* Reflected ripple current testing method please see DC-DC Converter Application Notes for specific operation.

## Output Specifications

Item	Operating Conditions	Min.	Typ.	Max.	Unit	
Output Voltage Accuracy		See tolerance envelope curve(Fig. 1)				
Line Regulation	Input voltage change: ±1%	3.3VDC output	--	--	1.5	%/%
		Others	--	--	1.2	

Load Regulation	10%-100% load	3.3VDC output	--	15	20	%
		5VDC output	--	10	15	
		9VDC output	--	8	10	
		12VDC output	--	7	10	
		15VDC output	--	6	10	
		24VDC output	--	5	10	
Ripple & Noise*	20MHz bandwidth	Others	--	30	75	mVp-p
		24VDC output	--	50	100	
Temperature Coefficient	100% load		--	±0.02	--	%/°C
Short Circuit Protection		Continuous, self-recovery				

Note: \* Ripple and noise are measured by "parallel cable" method, please see DC-DC Converter Application Notes for specific operation.

### General Specifications

Item	Operating Conditions	Min.	Typ.	Max.	Unit
Insulation Voltage	Input-output, with the test time of 1 minute and the leak current lower than 1mA	1500	--	--	VDC
Insulation Resistance	Input-output, isolation voltage 500VDC	1000	--	--	MΩ
Isolation Capacitance	Input-output, 100KHz/0.1V	--	20	--	pF
Operating Temperature	Derating when operating temperature up to 85°C, (see Fig. 2)	-40	--	105	°C
Storage Temperature		-55	--	125	
Casing Temperature Rise	Ta=25°C	3.3VDC output	--	25	
		Others	--	15	--
Pin Welding Resistance Temperature	Welding spot is 1.5mm away from the casing, 10 seconds	--	--	300	
Storage Humidity	Non-condensing	--	--	95	%RH
Switching Frequency	100% load, nominal input voltage	--	270	--	KHz
MTBF	MIL-HDBK-217F@25°C	3500	--	--	K hours

### Physical Specifications

Casing Material	Black flame-retardant and heat-resistant plastic (UL94 V-0)
Dimensions	19.65*6.00*10.16mm
Weight	2.1g(Typ.)
Cooling Method	Free air convection

### EMC Specifications

EMI	CE	CISPR32/EN55032 CLASS B (see Fig. 4 for recommended circuit)
	RE	CISPR32/EN55032 CLASS B (see Fig. 4 for recommended circuit)
EMS	ESD	IEC/EN61000-4-2 Air ±8kV , Contact ±4kV perf. Criteria B

### Product Characteristic Curve

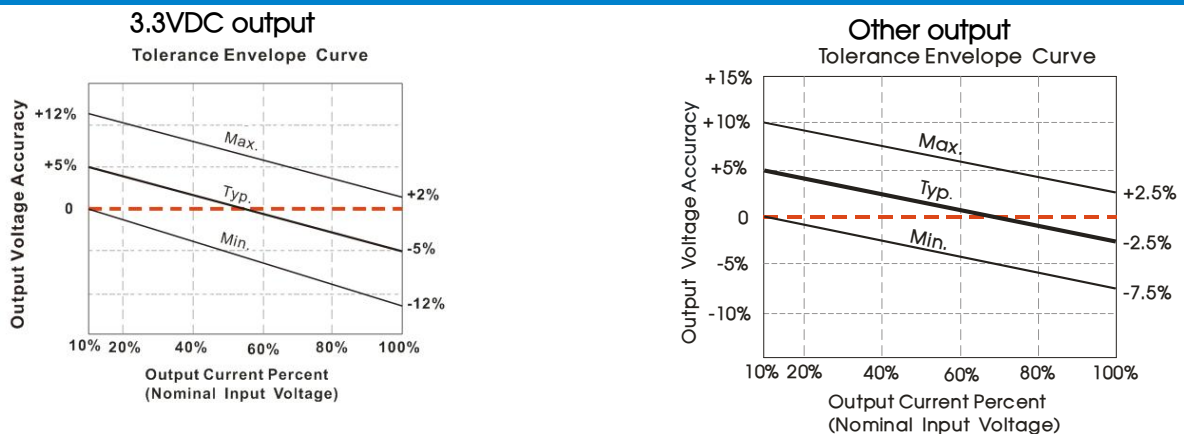


Fig. 1

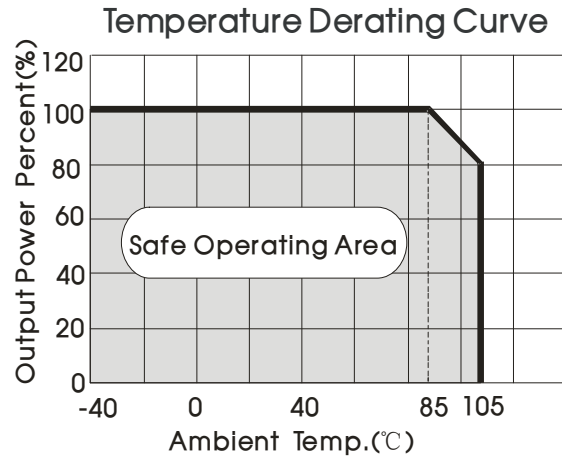
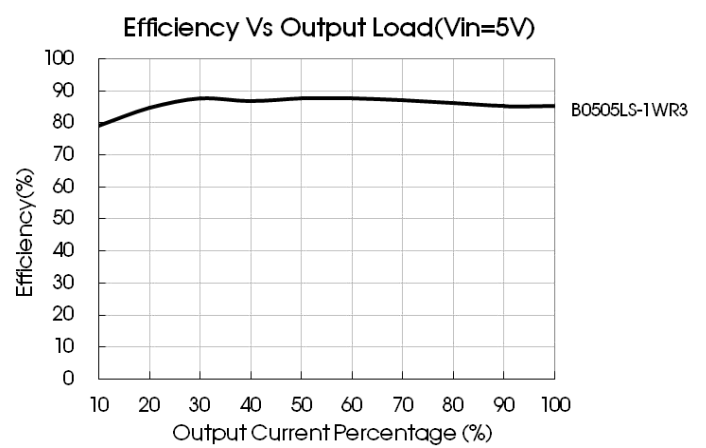
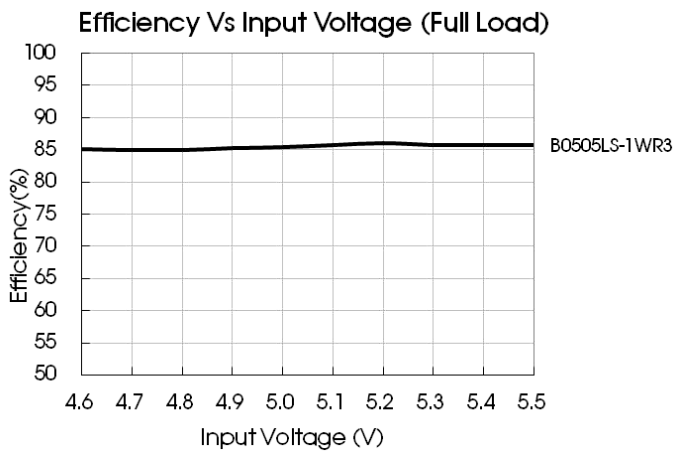
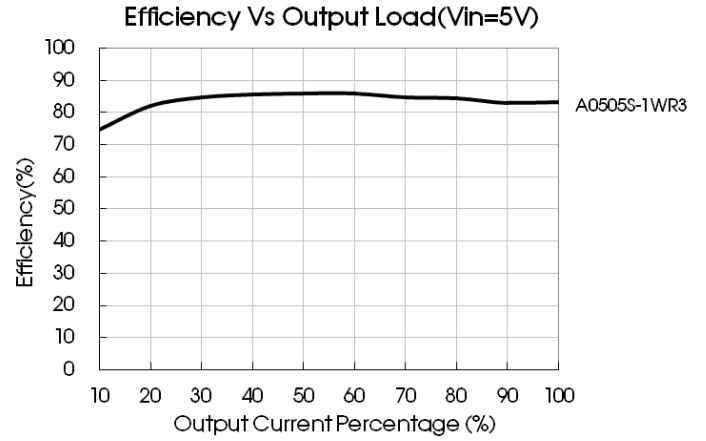
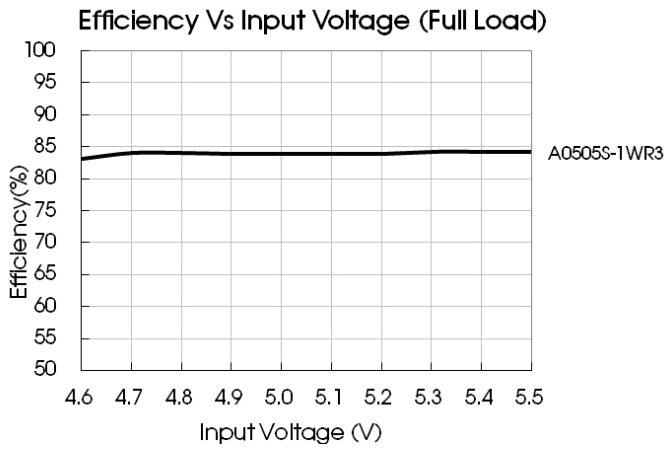


Fig. 2



Design Reference

1. Typical application circuit

If it is required to further reduce input and output ripple, a filter capacitor may be connected to the input and output terminals, see Fig.3. Moreover, choosing a suitable filter capacitor is very important, start-up problems may be caused if the capacitance is too large. Under the condition of safe and reliable operation, the recommended capacitive load values are shown in Table 1.

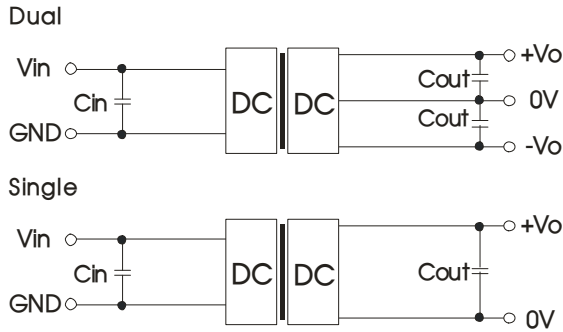


Fig.3

Recommended capacitive load value table (Table 1)

Vin (VDC)	Cin (μF)	Single Vout (VDC)	Cout (μF)	Dual Vout (VDC)	Cout (μF)
5	4.7	3.3/5	10	±5	4.7
--	--	9/12	2.2	±9/±12	1
--	--	15/24	1	±15/±24	0.47

2. EMC solution-recommended circuit

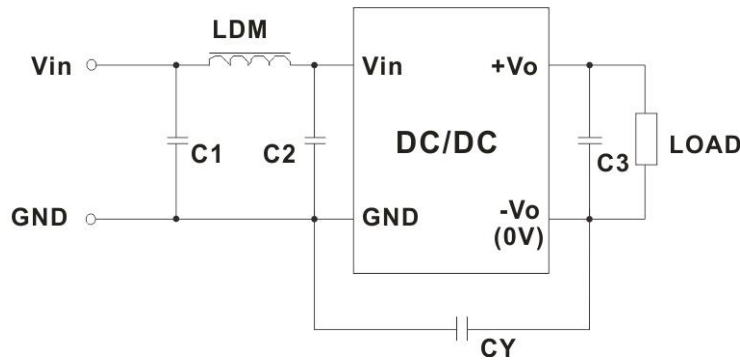


Fig. 4

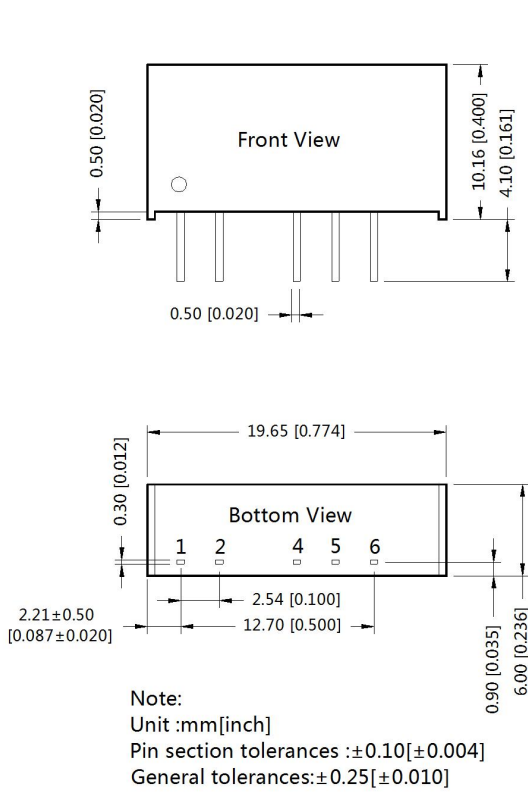
EMC recommended circuit value table (Table 2)

Input voltage 5VDC	Output voltage (VDC)		3.3/5/9	12/15/24
	EMI	C1/C2	4.7μF /25V	4.7μF /25V
CY		--	Refer to the Cout in table 1	
C3		Refer to the Cout in table 1		
LDM		6.8μH	6.8μH	

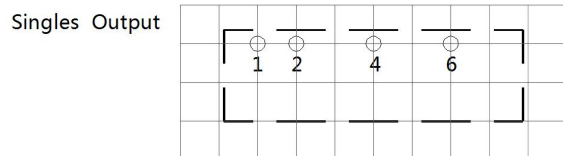
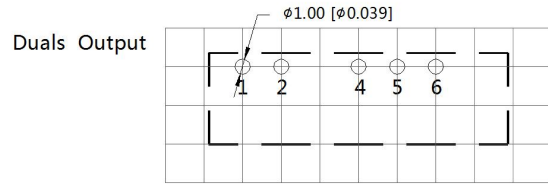
Note: In the case of actual use, the requirements for EMI are high, it is subject to CY .

3. For more information please find DC-DC converter application notes on [www.mornsun-power.com](http://www.mornsun-power.com)

Dimensions and Recommended Layout



THIRD ANGLE PROJECTION



Note : Grid 2.54\*2.54mm

Pin-Out		
Pin	Singles	Duals
1	Vin	Vin
2	GND	GND
4	0V	-Vo
5	No Pin	0V
6	+Vo	+Vo

Notes:

1. Packing information please refer to Product Packing Information which can be downloaded from [www.mornsun-power.com](http://www.mornsun-power.com). Packing bag number: 58200001;
2. If the product is not operated within the required load range, the product performance cannot be guaranteed to comply with all parameters in the datasheet;
3. The maximum capacitive load offered were tested at input voltage range and full load;
4. Unless otherwise specified, parameters in this datasheet were measured under the conditions of  $T_a=25^{\circ}\text{C}$ , humidity<75%RH with nominal input voltage and rated output load;
5. All index testing methods in this datasheet are based on our Company's corporate standards;
6. We can provide product customization service, please contact our technicians directly for specific information;
7. Products are related to laws and regulations: see "Features" and "EMC";
8. Our products shall be classified according to ISO14001 and related environmental laws and regulations, and shall be handled by qualified units.

Mornsun Guangzhou Science & Technology Co., Ltd.

Address: No. 5, Kehui St. 1, Kehui Development Center, Science Ave., Guangzhou Science City, Luogang District, Guangzhou, P. R. China  
 Tel: 86-20-38601850 Fax: 86-20-38601272 E-mail: [sales@mornsun.cn](mailto:sales@mornsun.cn) [www.mornsun-power.com](http://www.mornsun-power.com)